



Fire Hydrant Painting Event Rules

The design should be appropriate for a public space and should not be political in nature, or be offensive in any way.

Potential design themes include:

- o Designs inspired by the Historic Places, People and Events in East Longmeadow;
- o Designs with a whimsical or humorous twist that will make viewers smile;
- o Context-sensitive designs that would uniquely connect a particular fire hydrant with its immediate surroundings;
- o Colorful, abstract designs.

The public and private space immediately around the fire hydrant should be kept clean and neat when not directly working on the fire hydrant. Please respect the property.

Registration is open **until May 17, 2019**. Proposed designs must be submitted for approval during this period, along with a completed application and \$10.00 registration fee (check payable to EL Lions). **Applicants will be notified by May 31, 2019.**

Painting of fire hydrants can begin **upon notification of your assigned hydrant from the East Longmeadow Lions Club and must be completed by June 23, 2019.**

Paint only on the assigned fire hydrant. The **caps must be able to open** after the paint dries. You must use only the paint provided. Nothing can be attached to the fire hydrant.

If words are included in your design, all words must be approved as a part of the design.

You may use stencils, air brush with masking tape, or freehand your design.

You must apply the design submitted in this application. If you desire to make changes, you must seek approval from the E.L. Lions Club prior to changing your design.

If rules are not followed your hydrant will be painted over.

Judging will take place between June 24, 2019 and June 28, 2019. Prizes will be awarded for most whimsical, most patriotic, most EL/125th anniversary oriented, most creative, and judges' choice.

Any questions should be addressed to: [Donna Martinez, E.L. Lions at 478-9713 or dlmartinez@charter.net](mailto:dlmartinez@charter.net)

East Longmeadow Lions Club will be basing their decision to approve applications for painting based on creativity, originality, imagination, and appropriateness. All decisions on applications are final.

By participating in the Fire Hydrant Design Event you acknowledge that the East Longmeadow Lions Club, the Town of East Longmeadow and its affiliates are not responsible in any way for any injury or property damage directly or indirectly associated with this event.

By signing you acknowledge that participants are aware of all rules, guidelines and criteria associated with this event.

Authorized Person's Signature: _____ Date: _____



Fire Hydrant Painting Contest

APPLICATION

Name of Individual/Organization: _____

Mailing Address: _____

Phone Number: _____ Email: _____

Name of Contact: _____

Briefly describe your fire hydrant painting design:

Please include a complete color proposal of your design using the template form (Required – Front & Back).

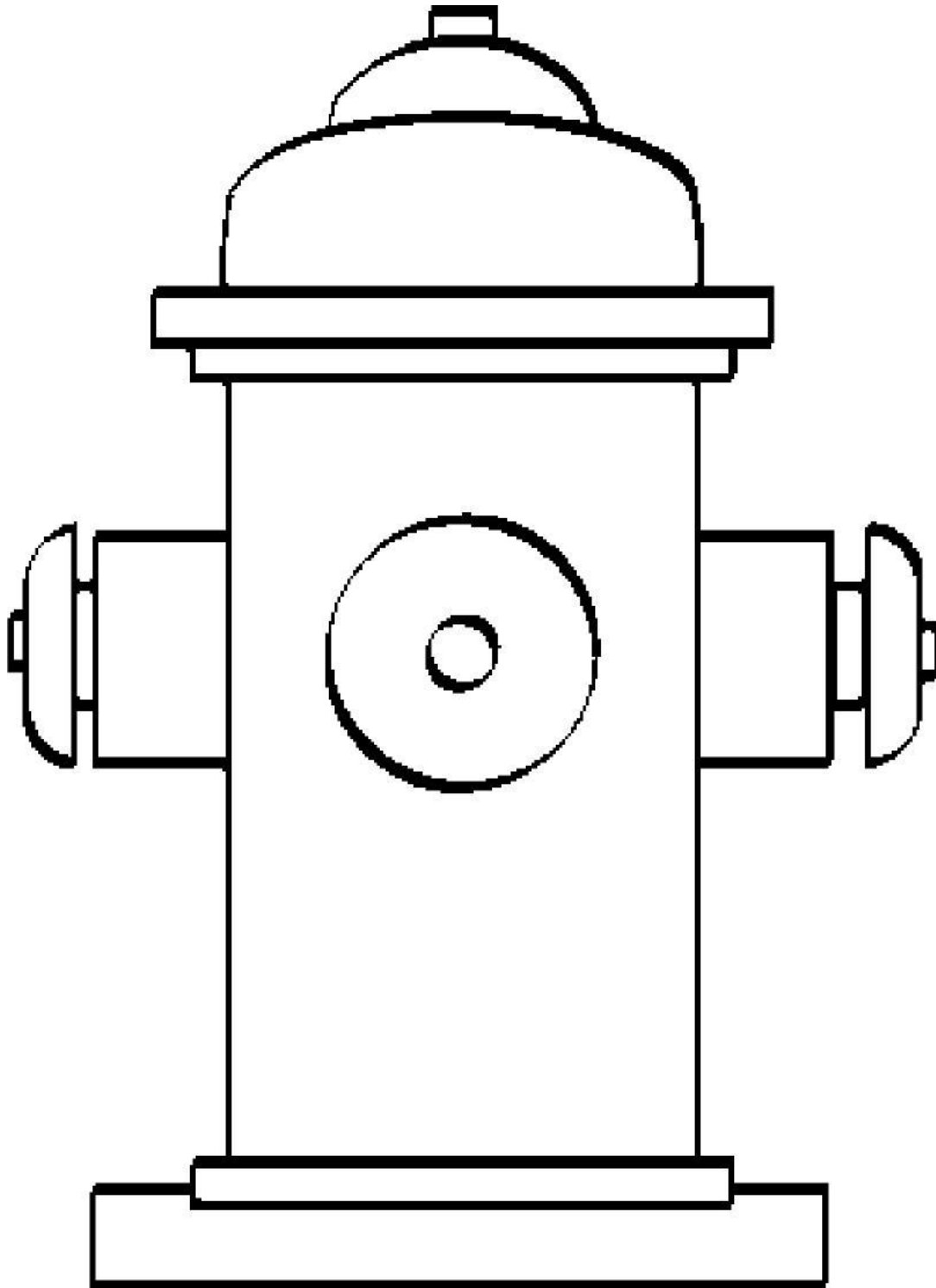
Completed Application Form, \$10.00 Application Fee (payable to EL Lions), Signed Contest Rules and Graphic Design (front and back) must be submitted and postmarked by mail, or hand delivered on or before **May 17, 2019.**

Submit Application to:

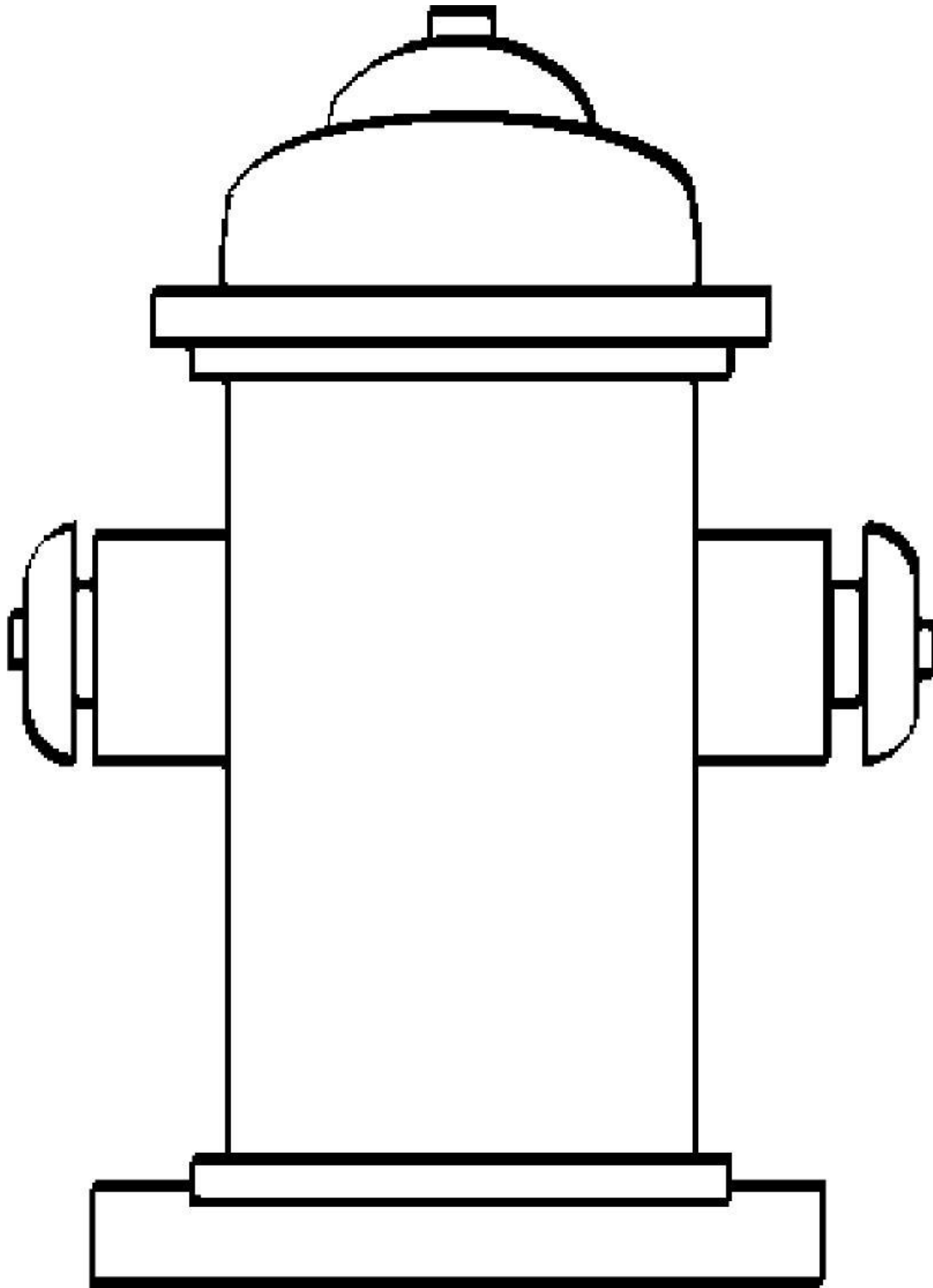
*Town Manager's Office, 60 Center Square, East Longmeadow, MA 01028 or
Donna Martinez, EL Lions, 163 Elm Street, East Longmeadow, MA 01028*

2019 Fire Hydrant Painting Event

DESIGN PROPOSAL (FRONT VIEW)



DESIGN PROPOSAL (BACK VIEW)





East Longmeadow Lions Club

2019 Fire Hydrant Painting Event

FREQUENTLY ASKED QUESTIONS

Q. Is there a fee to participate?

A. Yes, there is a \$10.00 registration fee. Checks can be made payable to EL Lions.

Q. Is there a minimum age to participate?

A. No, youth are encouraged to participate under the supervision of an adult.

Q. Do I have to be an artist to participate?

A. No, people of all skill levels are encouraged to participate.

Q. Can a group, club, organization or business participate?

A. Yes, Individuals, groups, organizations, businesses, etc. located in East Longmeadow are encouraged to participate.

Q. Can I use my own paint?

A. No, paint will be provided to you because a specific paint must be used.

Q. Do I need to live in the Town of East Longmeadow to participate?

A. Yes, this event will be open to EL residents or businesses who wish to participate.

Q. Can I change the design after it is submitted?

A. Any changes must have written approval from the East Longmeadow Lions Club.

Q. Can I select the fire hydrant I want to paint?

A. You can request a preference in the application, based on the location of a hydrant, but a hydrant will be assigned to you based on availability.

Q. Can I paint more than one fire hydrant?

A. Yes, but you must submit a separate application and fee for each hydrant. A second hydrant will be assigned based upon availability after all first round applications have been processed.

Q. Can I paint my business logo on the fire hydrant?

A. No. There can be no advertising on the fire hydrant.